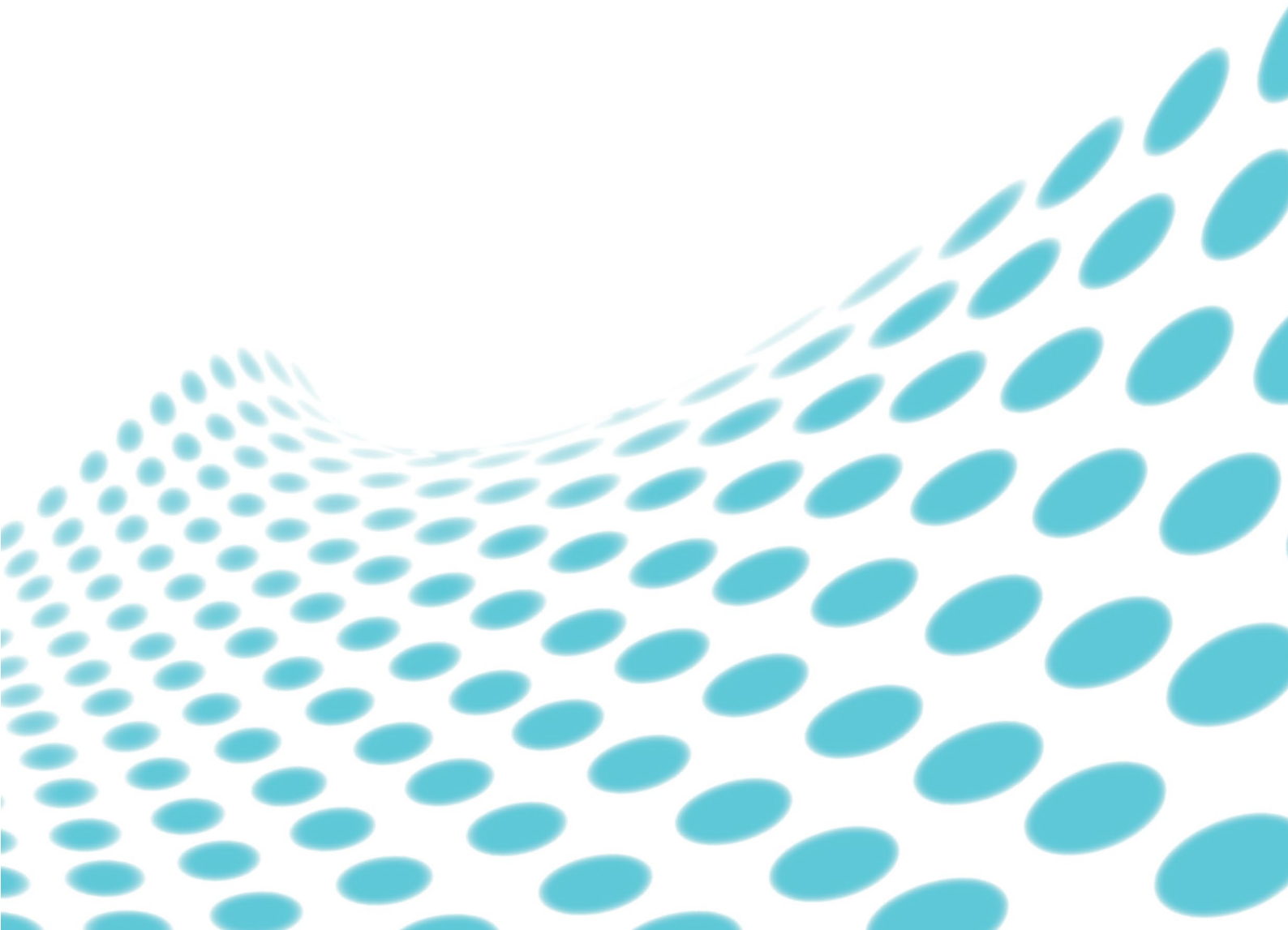




dreamoc™ *HD3*

factsheet
V.1.01 - 2016



The Dreamoc HD3 is a 3 sided holographic display, which lets you combine a physical product with 3D holographic content. The Dreamoc is equipped with a key protected backdoor, from where you have access to the media player and the chamber inside of the Dreamoc.



FEATURES

- 3 sided viewing
- Combine physical objects with holographic content
- High quality 3 mm glass optic
- Dirt resistant coating on optic
- Automatic and manually control spotlight
- Remote Up/Download of content via FTP
- Bright and sharp picture quality
- Easy change of content
- Key protected backdoor
- Seven push button for easy operation
- Built-in loudspeakers
- HDMI input for interactivity
- Programmable on/off timer

SPECIFICATIONS

- **Power Consumption:** 50W (Max)
< 1W (Deep st.by.) < 5W (St.by.)
- **Power input:** 90~264 Vac, 50/60Hz
- **Screen size:** 23", 16:9
- **Resolution:** Full HD 1920 X 1080p
- **Content:** WMV, MP4, AVI, MPEG1/2/4, H.264, VC-1 are supported
- **Sound out:** 2 x 10W
- **Spotlight:** adjustable from 0 to 8W or automatic control by movie
- **Input:** 1 x HDMI , 1 x SD slot
- **SD card:** Minimum class 4 - maximum 32Gbyte
- **Network:** RJ45

MEASUREMENTS

WxHxD: 560 x 342 x 420 mm

Weight: 18 ±1.0 kg

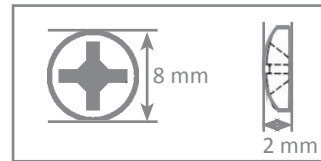
Freight measurements

WxHxD: 680 x 440 x 540 mm

Weight: 22 ±1.0 kg

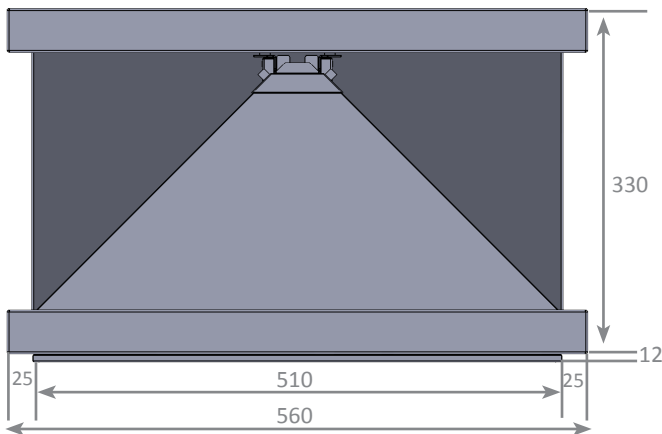


Picture of Dreamoc HD3 packaging

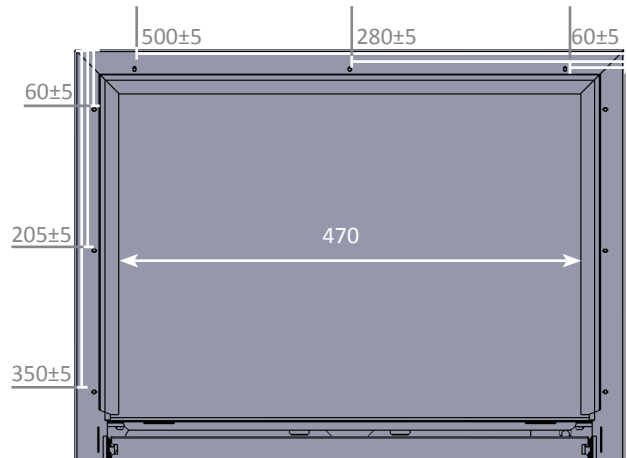


screw measurements

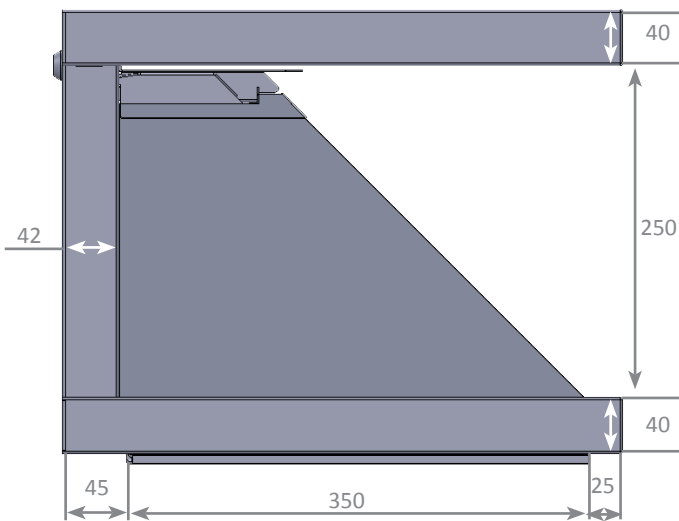
DIMENSIONS: All figures are in mm



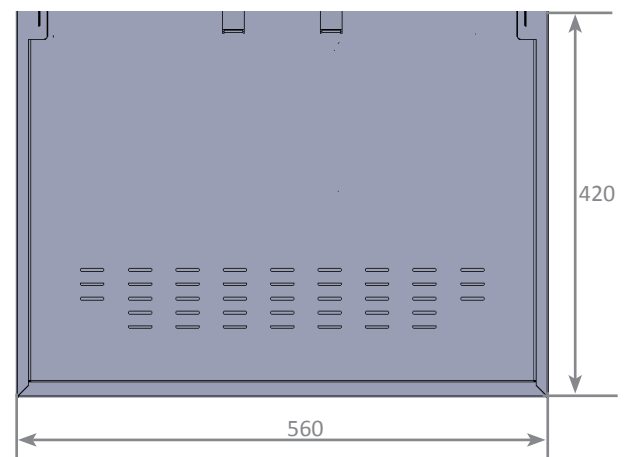
Dreamoc HD3 front - measurements



Dreamoc HD3 bottom - screw positions

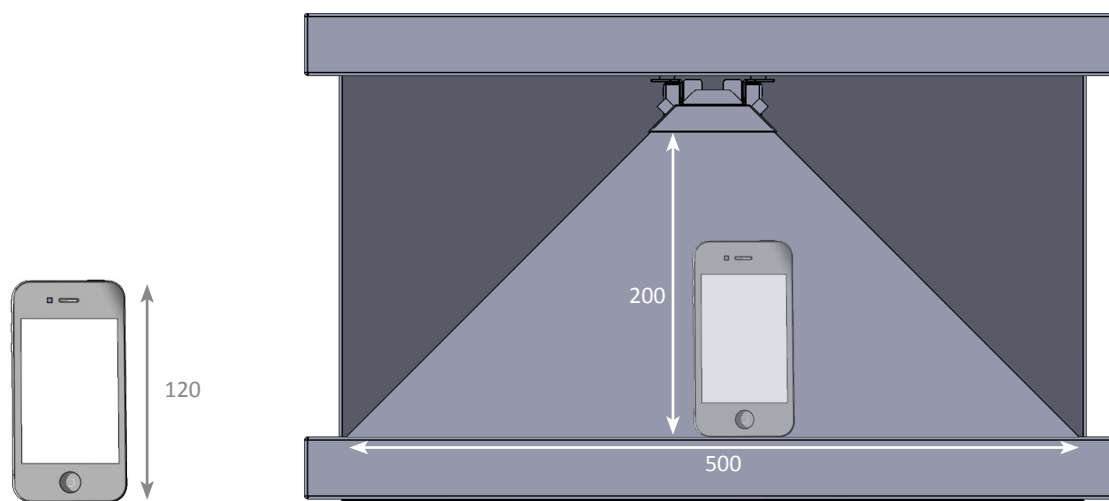


Dreamoc HD3 left side - measurements








Dreamoc HD3 top - measurements

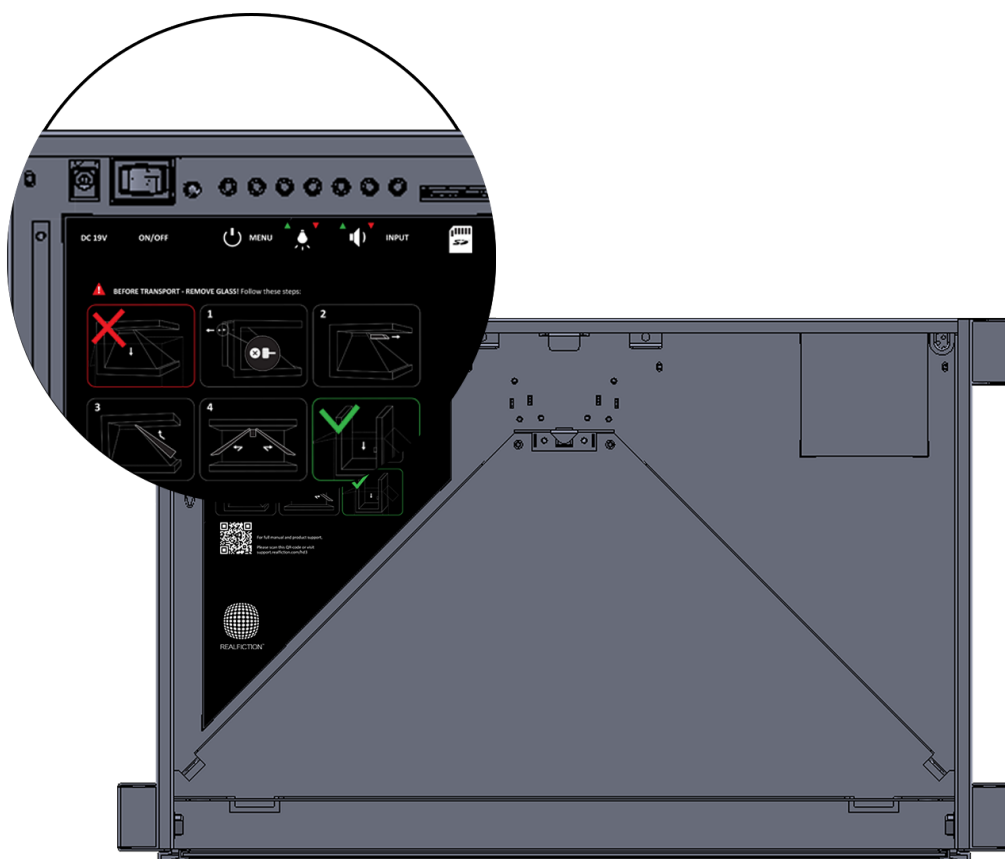
OBJECT REFERENCE



Dreamoc HD3 front - object reference

EASY OPERATION

-  ON/OFF Power on / off
-  Standby
-  MENU Menu
-  Spotlight up / down
-  Volume up / down
-  INPUT Input / select
-  SD card in / out



PACKAGE CONTENT

Dreamoc HD3 display - containing:

- SD card with demo movie

Quick Guide

Mirror Box - containing:

- Mirrors (optic)
- Plastic bag containing rubber gloves, Quick Guide and cleaning cloth

Accessory Box - containing:

- Two keys for the Dreamoc HD3 backdoor (same code for all Dreamoc HD3 locks)
- Optic Lock
- Spare screws for optic lock
- Power adapter (LITEON / Adapter 65W/19V / PA-1650-64 / Power DC Jack19V)
- Euro power cable 1,5 m
- Unbraco key

OPTIONAL ACCESSORIES - The following items are not included

FLIGHTCASE TROLLEY

Optimal for transportation if you use the Dreamoc in various locations. The flightcase has wheels and an expandable handle, which makes it suitable for personal transport.

WxHxD: 630 x 530 x 420 mm

Weight: 12 Kg



Dreamoc HD3 Flightcase

DREAMOC PLAY

With the Dreamoc Play App your Dreamoc easily becomes an interactive selling or presentation tool. Browse and play Dreamoc content easily through a customizable interface. Available free on App Store.



SCAN THIS QR-CODE
AND GET DREAMOC PLAY APP
FOR FREE

STAND

The stand places the Dreamoc in the perfect viewing height. Produced in steel.

- Very easy to assemble
- Adjustable rubber feet for excellent stability
- Can easily be covered with foil for visual branding

WxHxD: 563 x 1200 x 420 mm

Weight: 19 kg

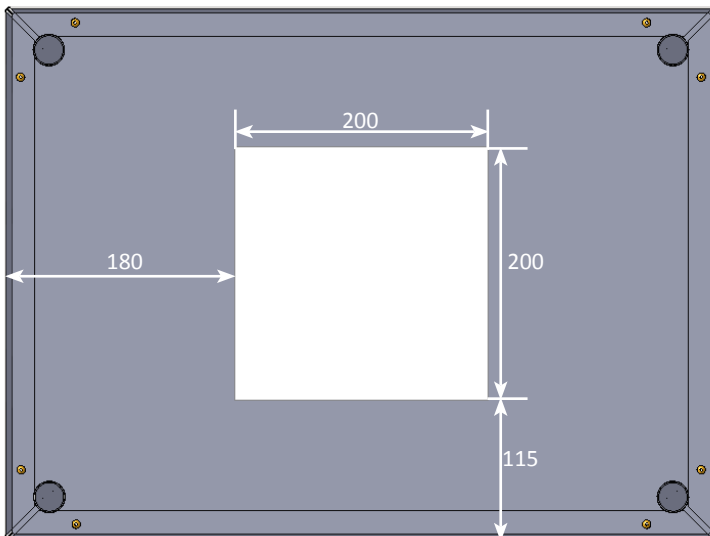
Freight measurements

WxHxD: 1350 x 630 x 170 mm

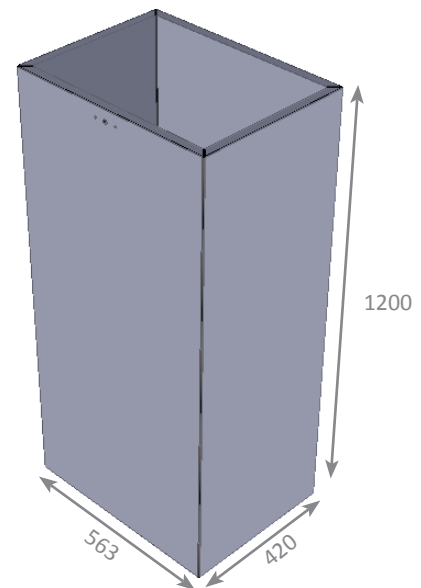
Weight: 23 kg



Dreamoc HD3 Stand



Dreamoc HD3 Stand bottom - measurements



Dreamoc HD3 Stand - measurements



FOR PRODUCT SUPPORT AND TUTORIALS,
PLEASE SCAN THIS QR-CODE OR VISIT
SUPPORT.REALFICTION.COM/HD3

Realfiction ApS | Øster Alle 42, 7, 2100 København Ø
Phone: +45 70 20 64 90
contact@realfiction.com
<http://www.realfiction.com>

Specifications are subject to changes. We accept no liability for errors and changes.